

YOKE[®]

Safety is our first priority[™]

DA[™]
Offshore Lifting

DNV 2.7-1 TYPE APPROVAL

Offshore Container Lifting Operation



Catalog No. 8-2018 Offshore

DATM

Offshore Lifting

Offshore Container Lifting Operation.

QMS System Certified:



The Features of YOKE DA™ Offshore Container Lifting Series

YOKE DA™ Series are manufactured to meet the requirements of DNV 2.7-1 for offshore container lifting to fulfill the need for the critical requirements of charpy impact, strength and ductility.

Lower Temperature Demand

YOKE DA™ Series are designed to withstand impacts in extreme environments down to maximum -40° C.

-40°C

Higher Safety Factors

YOKE DA™ Shackles have a design factor of 6 for Grade 6 Shackles and a design factor of 8 for Grade 8 shackles, and YOKE DA™ Master Link & Assembly have a design factor of 5 to enable them to operate in the harshest environments.

DNV 2.7-1 Specified Test Certificate

Test certificate with material and manufacturing process specified in DNV 2.7-1 for complete traceability.

To perform in the harshest weather and roughest sea conditions, YOKE DA™ Series are specially designed, manufactured and tested for the operating in the offshore container industry.

**DNV·GL**Certificate No:
TAS000005Z

TYPE APPROVAL CERTIFICATE

This is to certify:**That the Lifting set for Offshore containers and Portable Offshore Units**

with type designation(s)

Master Link - Type DA-003, Master Link Assembly - DA-007

Issued to

**Yoke Industrial Corp.
Taichung, Taiwan**

is found to comply with

DNV 2.7-1 Offshore Containers (2013)**DNV Standard for Certification No. 2.7-3 Portable Offshore Units (2011)****EN 1677-4 Components for slings - Safety - Part 4: Links, Grade 8****EN 12079-2 Offshore containers and associated lifting sets Part 2: Lifting sets Design, manufacture and marking****IMO/MSC Circular 860****Application :****Grade 8 Links for Lifting Sets for Offshore Containers or Portable Offshore Units**This Certificate is valid until **2020-10-20**.Issued at **Høvik** on **2015-10-21**DNV GL local station: **Kaohsiung**Approval Engineer: **Nina Thorvaldsen Moberg**for **DNV GL**

Digitally Signed By: Hals, Inger-Helene

Location: DNV GL Høvik, Norway

Signing Date: 2015-10-30

**Inger-Helene Hals
Head of Section**

This Certificate is subject to terms and conditions overleaf. Any significant change in design or construction may render this Certificate invalid. The validity date relates to the Type Approval Certificate and not to the approval of equipment/systems installed.

TYPE APPROVAL CERTIFICATE



DNV-GL

Certificate No:
S-8059
 File No:
911.53
 Job Id:
262.1-016068-3

This is to certify:

That the Lifting set for Offshore containers and Portable Offshore Units

with type designation(s)
Bolt Pin Anchor Shackles - Type DA-808 - Design Temperature -40°C
Bolt Pin Anchor Shackles - Type DA-838 - Design Temperature -40°C

Issued to
Yoke Industrial Corp.
Taichung, Taiwan

is found to comply with
DNV 2.7-1 Offshore Containers (2013)
DNVGL-ST-E273 Standard 2.7-3 Portable offshore units (2016)
EN 12079-2 Offshore containers and associated lifting sets – Part 2: Lifting sets Design, manufacture and marking
EN 13889 Forged steel shackles for general lifting purposes - Dee shackles and Bow shackles - Grade 6 - Safety
IMO/MSC Circular 860

Application :

Shackles for Lifting Sets for Offshore Containers and Portable Offshore Units

This Certificate is valid until **2019-06-30**.

Issued at **Høvik** on **2017-05-26**

DNV GL local station: **Kaohsiung**

Approval Engineer: **Igor Antonijevic**



for **DNV GL**
 Digitally Signed By: Hals,
 Inger-Helene
 Signing Date: 30.05.2017
 Location: Høvik, Norway

Inger-Helene Hals
Head of Section

This Certificate is subject to terms and conditions overleaf. Any significant change in design or construction may render this Certificate invalid. The validity date relates to the Type Approval Certificate and not to the approval of equipment/systems installed. If any person suffers loss or damage which is proven to have been caused by any negligent act or omission of the Society, then the Society shall pay compensation to such person for his proven direct loss or damage. However, the compensation shall not exceed an amount equal to ten times the fee charged for the service in question. The maximum compensation shall never exceed USD 2 million. In this provision the "Society" shall mean DNV GL AS as well as all its direct and indirect owners, affiliates, subsidiaries, directors, officers, employees, agents and any other person or entity acting on behalf of DNV GL AS.

Therri



**DNV-GL**Certificate No:
TAS000011K

TYPE APPROVAL CERTIFICATE

This is to certify:**That the Hook**with type designation(s)
Hooks DA-025 & DA-027NIssued to
Yoke Industrial Corp.
Taichung, Taiwanis found to comply with
DNV GL standard DNVGL-ST-0378 – Standard for offshore and platform lifting appliances**Application :****Product(s) approved by this certificate is/are accepted for installation on all vessels classed by DNV GL.**Issued at **Høvik** on **2017-05-31**This Certificate is valid until **2022-05-30**.
DNV GL local station: **Kaohsiung**Approval Engineer: **Antonio Sendin Alvarez**for **DNV GL**Digitally Signed By: aldo.matteucci@dnvgl.com
Location: DNV GL Høvik, Norway
Signing Date: 01.06.2017**Aldo Matteucci**
Head of Section

This Certificate is subject to terms and conditions overleaf. Any significant change in design or construction may render this Certificate invalid. The validity date relates to the Type Approval Certificate and not to the approval of equipment/systems installed.



DNV·GL

Certificate No:
TAS00000T4

TYPE APPROVAL CERTIFICATE

This is to certify:

That the Chain, shackles, swivels, sockets

with type designation(s)
Lifting points DA-271 for offshore cranes

Issued to
Yoke Industrial Corp.
Taichung, Taiwan

is found to comply with
DNV GL standard DNVGL-ST-0378 – Standard for offshore and platform lifting appliances

Application :

Product(s) approved by this certificate is/are accepted for installation on all vessels classed by DNV GL.

This Certificate is valid until **2022-05-29**.

Issued at **Høvik** on **2017-05-30**

DNV GL local station: **Kaohsiung**

Approval Engineer: **Antonio Sendin Alvarez**

for **DNV GL**



Digitally Signed By: aldo.matteucci@dnvgl.com
Location: DNV GL Høvik, Norway
Signing Date: 31.05.2017

Aldo Matteucci
Head of Section

This Certificate is subject to terms and conditions overleaf. Any significant change in design or construction may render this Certificate invalid. The validity date relates to the Type Approval Certificate and not to the approval of equipment/systems installed.

Determination of Working Load Limit

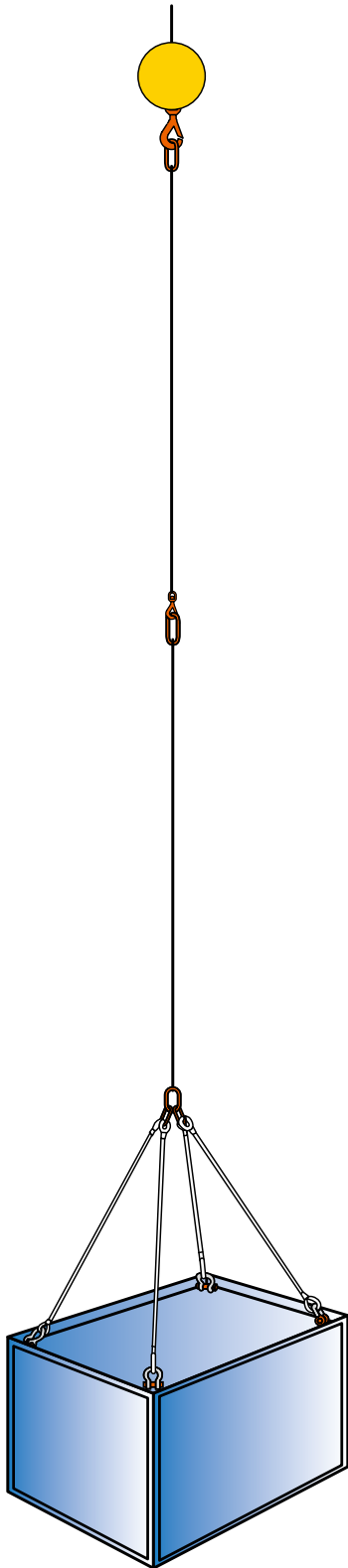


Table 8-1 Determination of Working Load Limit

Rating(kg)	Enhancement factor	Minimum required Working Load Limit(WLLmin)(t)
500	-	7.00
1000	-	7.00
1500	-	7.00
2000	3.500	7.00
2500	2.880	7.20
3000	2.600	7.80
3500	2.403	8.41
4000	2.207	8.83
4500	2.067	9.30
5000	1.960	9.80
5500	1.873	10.30
6000	1.766	10.60
6500	1.733	11.26
7000	1.700	11.90
7500	1.666	12.50
8000	1.633	13.07
8500	1.600	13.60
9000	1.567	14.10
9500	1.543	14.57
10000	1.501	15.01
10500	1.479	15.53
11000	1.457	16.02
11500	1.435	16.50
12000	1.413	16.95
12500	1.931	17.38
13000	1.368	17.79
13500	1.346	18.18
14000	1.324	18.54
14500	1.302	18.88
15000	1.280	19.20
15500	1.267	19.64
16000	1.254	20.06
16500	1.240	20.47
17000	1.227	20.86
17500	1.214	21.24
18000	1.201	21.61
18500	1.188	21.97
19000	1.174	22.31
19500	1.161	22.64
20000	1.148	22.96
20500	1.143	23.44
21000	1.139	23.92
21500	1.135	24.39
22000	1.130	24.86
22500	1.126	25.33
23000	1.121	25.79
23500	1.117	26.25
24000	1.112	26.70
24500	1.108	27.15
25000	1.104	27.59

Safety is our first priority™
 - Quality, Reliability, Innovation -



P10



P11



P12



P13



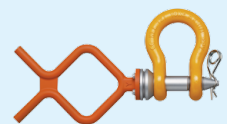
P14



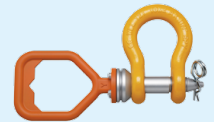
P15



P16



P20



P22



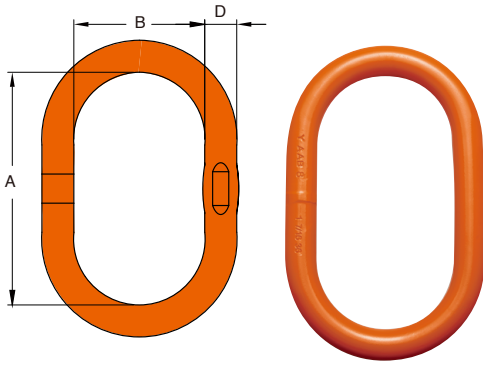
P24



P25



P26



- Forged alloy steel, quenched and tempered.
- Tested and manufactured in accordance with DNV 2.7-1, EN 1677-4, ASME B30.26.
- Certified by DNV 2.7-1.
- Fatigue rated to 20,000 cycles at 1.5 times the Working Load Limit (WLL).
- Charpy tested in accordance with DNV 2.7-1.
- Proof Load tested to 2.5 times the Working Load Limit (WLL).
- Design factor 5:1.
- Charpy test of 42 joules (31ft. lbs.) at -40°C (-40°F) for normal section.
- Charpy test of 27 joules (20ft. lbs.) at -40°C (-40°F) for welded section.

-40°C

DA Master Link

DNV 2.7-1
(Offshore Containers-Lifting Appliance)



"can be used to single hook according to DIN 15401 NO."

Item No.	Code NO.	WLL	Proof	"can be used to single hook according to DIN 15401 NO."	Dimensions (inch)			N.W.
		β 0-45° tonnes	Load kN		D	A	B	
DA-001-13	FD-13	2.8	69	2.5	0.51	4.72	2.36	0.8
DA-001-16	FD-16	4	98	6	0.63	6.30	3.54	1.6
DA-001-19	FD-19	6.7	164	6	0.75	6.30	3.54	2.4
DA-001-22	FD-22	8.9	218	8	0.87	7.09	3.94	3.6
DA-001-223	FD-223	6.3	142	16	0.87	10.63	5.51	5.0
DA-001-25	FD-25	11.5	282	10	0.98	8.27	4.53	5.3
DA-001-251	FD-251	11.5	282	16	0.98	10.83	5.71	6.7
DA-001-28	FD-28	13	319	16	1.10	10.83	5.71	8.5
DA-001-32	FD-32	17.1	417	16	1.26	10.83	5.71	11.3
DA-001-36	FD-36	24	588	20	1.42	11.22	6.10	15.1
DA-001-40	FD-40	28.1	688	20	1.57	11.81	6.30	19.7
DA-001-45	FD-45	38.3	938	25	1.77	13.39	7.09	28.2
DA-001-50	FD-50	45	1103	32	1.97	13.78	7.68	36.6

*Welded Master Link *Design Factor 5:1 *Proof tested at 2.5 times the WLL

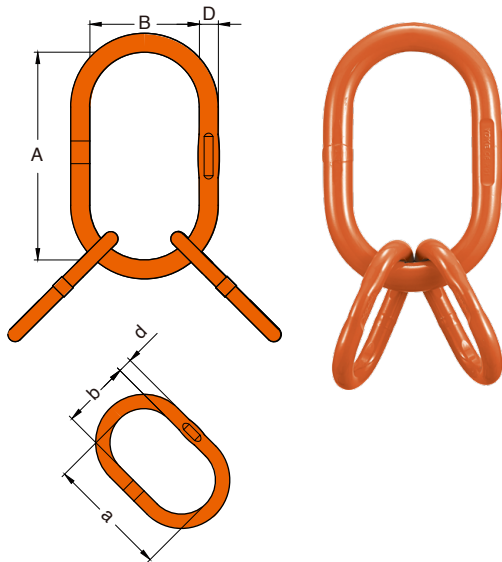
"can be used to single hook according to DIN 15401 NO."

Item No.	Code NO.	WLL	Proof	"can be used to single hook according to DIN 15401 NO."	Dimensions (mm)			N.W.
		β 0-45° tonnes	Load kN		D	A	B	
DA-001-13	FD-13	2.8	69	2.5	13	120	60	0.4
DA-001-16	FD-16	4	98	6	16	160	90	0.7
DA-001-19	FD-19	6.7	164	6	19	160	90	1.1
DA-001-22	FD-22	8.9	218	8	22	180	100	1.6
DA-001-223	FD-223	6.3	142	16	22	270	140	2.3
DA-001-25	FD-25	11.5	282	10	25	210	115	2.4
DA-001-251	FD-251	11.5	282	16	25	275	145	3.1
DA-001-28	FD-28	13	319	16	28	275	145	3.9
DA-001-32	FD-32	17.1	417	16	32	275	145	5.1
DA-001-36	FD-36	24	588	20	36	285	155	6.9
DA-001-40	FD-40	28.1	688	20	40	300	160	8.9
DA-001-45	FD-45	38.3	938	25	45	340	180	12.8
DA-001-50	FD-50	45	1103	32	50	350	195	16.6

Sub-links SPEC for DA-007. Items in grey area are not for sale individually.

DA-001-131	FD-131	2.8	69	-	13	90	50	0.3
DA-001-161	FD-161	4	98	-	16	140	70	0.6
DA-001-191	FD-191	6.7	164	-	19	140	70	0.9
DA-001-222	FD-222	8.9	218	-	22	162	90	1.5
DA-001-281	FD-281	13	319	-	28	190	100	2.8
DA-001-282	FD-282	14.5	355	-	28	200	110	3.0
DA-001-361	FD-361	24	588	-	36	275	145	6.6
DA-001-401	FD-401	28.1	688	-	40	260	130	7.8





- Forged alloy steel, quenched and tempered.
- Tested and manufactured in accordance with DNV 2.7-1, EN 1677-4, ASME B30.26.
- Certified by DNV 2.7-1.
- Fatigue rated to 20,000 cycles at 1.5 times the Working Load Limit (WLL).
- Charpy tested in accordance with DNV 2.7-1.
- Proof Load tested to 2.5 times the Working Load Limit (WLL).
- Design factor 5:1.
- Charpy test of 42 joules (31ft. lbs.) at -40°C (-40°F) for normal section.
- Charpy test of 27 joules (20ft. lbs.) at -40°C (-40°F) for welded section.

-40°C

DA Master Link Assembly

DNV 2.7-1
(Offshore Containers-Lifting Appliance)



Item No.	Assembled with.	WLL β 0-45° tonnes	Proof Load kN	"can be used to single hook according to DIN 15401 NO."	Dimensions (inch)						N.W. lbs
					D	A	B	d	a	b	
DA-007-16	FD-161 +2 FD-131	4.1	100	4	0.63	5.51	2.76	0.51	3.54	1.97	2.7
DA-007-22	FD-222 +2 FD-191	8.9	218	6	0.87	6.38	3.54	0.75	5.51	2.76	7.4
DA-007-221	FD-223 +2 FD-161	6.3	154	16	0.87	10.63	5.51	0.63	5.51	2.76	7.9
DA-007-25	FD-251 +2 FD-19	8.9	218	16	0.98	10.83	5.71	0.75	6.30	3.54	11.5
DA-007-28	FD-28 +2 FD-22	12.9	316	16	1.10	10.83	5.71	0.87	7.09	3.94	15.7
DA-007-281	FD-282 +2 FD-223	14.5	355	10	1.10	7.87	4.33	0.87	5.51	2.76	12.2
DA-007-32	FD-32 +2 FD-25	17	417	16	1.26	10.83	5.71	0.98	8.27	4.53	22.0
DA-007-36	FD-361 +2 FD-281	23.6	578	16	1.42	10.83	5.71	1.10	7.48	3.94	26.9
DA-007-40	FD-40 +2 FD-32	28.1	688	20	1.57	11.81	6.30	1.26	10.83	5.71	42.4
DA-007-45	FD-45 +2 FD-36	38.3	938	25	1.77	13.39	7.09	1.42	11.22	6.10	58.4
DA-007-50	FD-50 +2 FD-401	45	1103	32	1.97	13.78	7.68	1.57	10.24	5.12	71.1

*Welded Master Link

*Design Factor 5:1

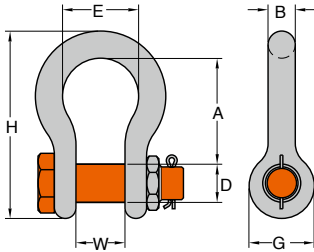
*Proof tested at 2.5 times the WLL

Item No.	Assembled with.	WLL β 0-45° tonnes	Proof Load kN	"can be used to single hook according to DIN 15401 NO."	Dimensions (mm)						N.W. kg
					D	A	B	d	a	b	
DA-007-16	FD-161 +2 FD131	4.1	100	4	16	140	70	13	90	50	1.2
DA-007-22	FD-222 +2 FD191	8.9	216	6	22	162	90	19	140	70	3.3
DA-007-221	FD-223 +2 FD161	6.3	154	16	22	270	140	16	140	70	3.6
DA-007-25	FD-251 +2 FD-19	8.9	218	16	25	275	145	19	160	90	5.2
DA-007-28	FD-28 +2 FD-22	12.9	316	16	28	275	145	22	180	100	7.1
DA-007-281	FD-282 +2 FD-223	14.5	355	10	28	200	110	22	140	70	5.5
DA-007-32	FD-32 +2 FD-25	17	417	16	32	275	145	25	210	115	10.0
DA-007-36	FD-361 +2 FD-281	23.6	578	16	36	275	145	28	190	100	12.2
DA-007-40	FD-40 +2 FD-32	28.1	688	20	40	300	160	32	275	145	19.2
DA-007-45	FD-45 +2 FD-36	38.3	938	25	45	340	180	36	285	155	26.5
DA-007-50	FD-50 +2 FD-401	45	1103	32	50	350	195	40	260	130	32.3

*Welded Master Link

*Design Factor 5:1

*Proof tested at 2.5 times the WLL



- Forged alloy steel, quenched and tempered.
- Tested and manufactured in accordance with DNV 2.7-1, DNV GL-ST-0378, EN 13889, ASME B30.26, U.S. Fed. Spec. RR-C-271F Type IVA, Grade A, Class 3.
- Certified by DNV 2.7-1.
- Fatigue rated to 20,000 cycles at 1.5 times the Working Load Limit (WLL).
- Charpy tested in accordance with DNV 2.7-1.
- Hot dip galvanized.
- Charpy test of 42 joules (31ft. lbs.) at -40°C (-40°F) for normal section.

-40°C

DA 838 Shackle
Grade 6

DNV 2.7-1
(Offshore Containers-Lifting Appliance)



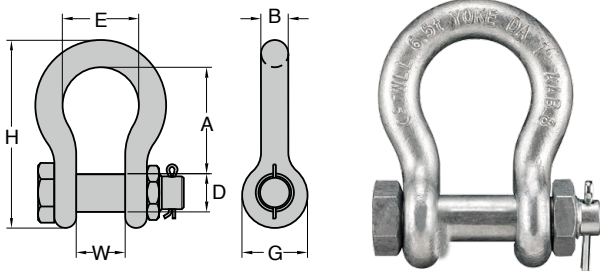
Item No.	Nominal Size	Working Load Limit	Dimensions (inch)							N.W.
	inch		tonnes*	A	B	D	E	G	H	
DA-838-13	1/2	2.00	1.85	0.52	0.63	1.30	1.18	3.34	0.79	0.9
DA-838-16	5/8	3.25	2.40	0.63	0.75	1.70	1.50	4.17	1.06	1.5
DA-838-19	3/4	4.75	2.83	0.75	0.87	1.97	1.81	5.04	1.30	2.2
DA-838-22	7/8	6.50	3.39	0.87	1.02	2.28	2.09	5.91	1.50	3.7
DA-838-26	1	8.50	3.78	1.02	1.10	2.68	2.40	6.57	1.73	5.3
DA-838-28	1- 1/8	9.50	4.37	1.10	1.26	2.91	2.68	7.52	1.81	7.5
DA-838-32	1- 1/4	12.00	4.76	1.26	1.42	3.30	2.99	8.07	2.12	10.6
DA-838-36	1- 3/8	13.50	5.28	1.42	1.50	3.62	3.31	9.13	2.32	14.3
DA-838-38	1- 1/2	17.00	5.57	1.50	1.77	3.90	3.62	10.00	2.36	19.4
DA-838-45	1- 3/4	25.00	7.00	1.85	2.00	5.00	4.17	12.32	2.87	38.5
DA-838-50	2	35.00	7.76	2.09	2.24	5.75	4.80	13.66	3.27	53.2
DA-838-64	2- 1/2	** 55.00	10.51	2.62	2.76	7.24	5.71	17.83	4.13	95.7
DA-838-76	3	** 85.00	12.99	2.99	3.25	7.87	6.50	21.50	5.00	178.2
DA-838-89	3- 1/2	**120.00	14.65	3.62	3.76	9.02	7.99	24.65	5.24	264.0
DA-838-100	4	**150.00	14.49	4.09	4.25	10.00	9.02	25.71	5.51	336.6

*2t to 35t are type approved of DNV 2.7-1. Minimum Ultimate Load is 6 times the Working Load Limit.
**55t to 150t meet all requirements of DNV 2.7-1. Minimum Ultimate Load is 6 times the Working Load Limit.

Item No.	Nominal Size	Working Load Limit	Dimensions (mm)							N.W.
	mm		tonnes*	A	B	D	E	G	H	
DA-838-13	13	2.00	47	13	16	33	30	85	20	0.4
DA-838-16	16	3.25	61	16	19	43	38	106	27	0.7
DA-838-19	19	4.75	72	19	22	50	46	126	33	1.0
DA-838-22	22	6.50	86	22	26	58	53	148	38	1.7
DA-838-26	26	8.50	96	26	28	68	61	166	44	2.4
DA-838-28	28	9.50	111	28	32	74	68	190	46	3.4
DA-838-32	32	12.00	121	32	36	84	76	210	54	4.8
DA-838-36	36	13.50	134	36	38	92	84	232	59	6.5
DA-838-38	38	17.00	146	38	44	99	92	254	60	8.8
DA-838-45	45	25.00	178	47	51	127	106	313	73	17.5
DA-838-50	50	35.00	197	53	57	146	122	347	83	24.2
DA-838-64	64	** 55.00	267	66.5	70	184	145	453	105	43.5
DA-838-76	76	** 85.00	330	76	82.5	200	165	546	127	81.0
DA-838-89	89	**120.00	372	92	95.5	229	203	626	133	120.0
DA-838-100	100	**150.00	368	104	108	254	229	653	140	153.0

*2t to 35t are type approved of DNV 2.7-1. Minimum Ultimate Load is 6 times the Working Load Limit.
**55t to 150t meet all requirements of DNV 2.7-1. Minimum Ultimate Load is 6 times the Working Load Limit.





- Forged alloy steel, quenched and tempered.
- Tested and manufactured in accordance with DNV 2.7-1, DNV GL-ST-0378, EN 13889, ASME B30.26, U.S. Fed. Spec. RR-C-271F Type IVA, Grade A, Class 3.
- Certified by DNV 2.7-1.
- Fatigue rated to 20,000 cycles at 1.5 times the Working Load Limit (WLL).
- Charpy tested in accordance with DNV 2.7-1.
- Hot dip galvanized.
- Charpy test of 42 joules (31ft. lbs.) at -40°C (-40°F) for normal section.

-40°C

DA 808 Shackle

DNV 2.7-1

Grade 8

(Offshore Containers-Lifting Appliance)



Item No.	Nominal Size	Working Load Limit tonnes*	Dimensions (inch)							N.W. lbs
	inch		A	B	D	E	G	H	W	
DA-808-13	1/2	2.00	1.85	0.52	0.63	1.30	1.18	3.34	0.79	0.9
DA-808-16	5/8	3.25	2.40	0.63	0.75	1.70	1.50	4.17	1.06	1.5
DA-808-19	3/4	4.75	2.83	0.75	0.87	1.97	1.81	5.04	1.30	2.2
DA-808-22	7/8	6.50	3.39	0.87	1.02	2.28	2.09	5.91	1.50	3.7
DA-808-26	1	8.50	3.78	1.02	1.10	2.68	2.40	6.57	1.73	5.3
DA-808-28	1- 1/8	9.50	4.37	1.10	1.26	2.91	2.68	7.52	1.81	7.5
DA-808-32	1- 1/4	12.00	4.76	1.26	1.42	3.30	2.99	8.07	2.12	10.6
DA-808-36	1- 3/8	13.50	5.28	1.42	1.50	3.62	3.31	9.13	2.32	14.3
DA-808-38	1- 1/2	17.00	5.57	1.50	1.77	3.90	3.62	10.00	2.36	19.4
DA-808-45	1- 3/4	25.00	7.00	1.85	2.00	5.00	4.17	12.32	2.87	38.5
DA-808-50	2	35.00	7.76	2.09	2.24	5.75	4.80	13.66	3.27	53.2
DA-808-64	2- 1/2	** 85.00	10.51	2.62	2.76	7.24	5.71	17.83	4.13	95.7
DA-808-76	3	**120.00	12.99	2.99	3.25	7.87	6.50	21.50	5.00	178.2
DA-808-89	3- 1/2	**150.00	14.65	3.62	3.76	9.02	7.99	24.65	5.24	264.0
DA-808-100	4	**175.00	14.49	4.09	4.25	10.00	9.02	25.71	5.51	336.6

*2t to 35t are type approved of DNV 2.7-1. Minimum Ultimate Load is 8 times the Working Load Limit.

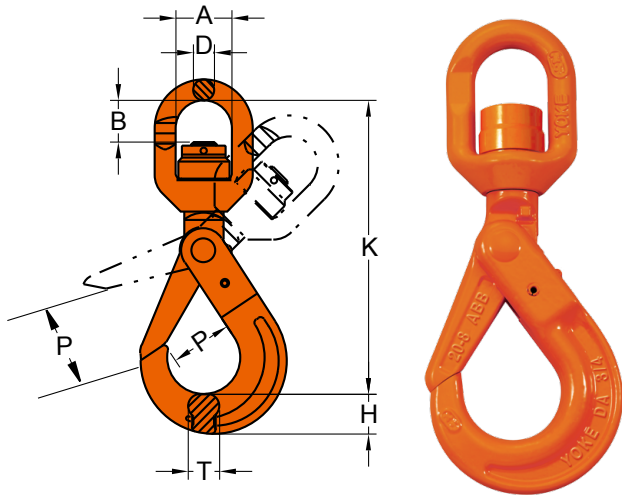
**85t to 175t meet all requirements of DNV 2.7-1. Minimum Ultimate Load is 5.4 times the Working Load Limit.

Item No.	Nominal Size	Working Load Limit tonnes*	Dimensions (mm)							N.W. kg
	mm		A	B	D	E	G	H	W	
DA-808-13	13	2.00	47	13	16	33	30	85	20	0.4
DA-808-16	16	3.25	61	16	19	43	38	106	27	0.7
DA-808-19	19	4.75	72	19	22	50	46	126	33	1.0
DA-808-22	22	6.50	86	22	26	58	53	148	38	1.7
DA-808-26	26	8.50	96	26	28	68	61	166	44	2.4
DA-808-28	28	9.50	111	28	32	74	68	190	46	3.4
DA-808-32	32	12.00	121	32	36	84	76	210	54	4.8
DA-808-36	36	13.50	134	36	38	92	84	232	59	6.5
DA-808-38	38	17.00	146	38	45	99	92	254	60	8.8
DA-808-45	45	25.00	178	47	51	127	106	313	73	17.5
DA-808-50	50	35.00	197	53	57	146	122	347	83	24.2
DA-808-64	64	** 85.00	267	66.5	70	184	145	453	105	43.5
DA-808-76	76	**120.00	330	76	82.5	200	165	546	127	81.0
DA-808-89	89	**150.00	372	92	95.5	229	203	626	133	120.0
DA-808-100	100	**175.00	368	104	108	254	229	653	140	153.0

*2t to 35t are type approved of DNV 2.7-1. Minimum Ultimate Load is 8 times the Working Load Limit.

**85t to 175t meet all requirements of DNV 2.7-1. Minimum Ultimate Load is 5.4 times the Working Load Limit.





- Forged alloy steel, quenched and tempered.
- Tested and manufactured in accordance with EN 1677 and Norsok R002.
- Certified by DNV GL-ST-0378.
- Fatigue rated to 20,000 cycles at 1.5 times the Working Load Limit (WLL).
- Charpy tested in accordance with DNV GL-ST-0378.
- Designed with recessed trigger and ball bearing, providing the locking mechanism being protected against inadvertent opening due to entanglement with any obstruction during lifting.
- Design factor 4:1 and 5:1.
- Latch mechanism is self locking under loading.
- Charpy test of 42 joules (31ft. lbs.) at -20°C (-4°F).

-40°C

DNV GL-ST-0378
(Offshore Crane- Lifting Appliance)

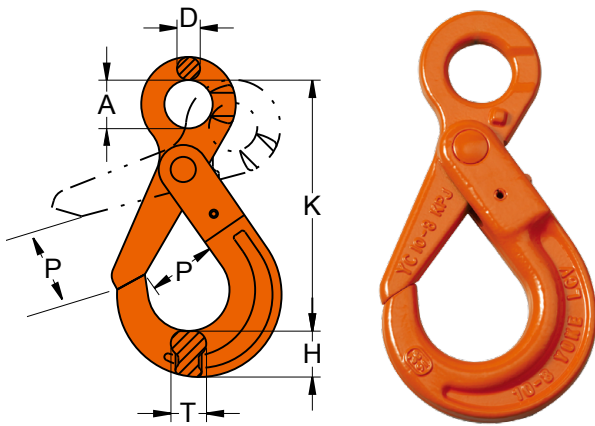


DA Swivel Self Locking Hook

With Ball Bearing, which performs full swivel under load

Item No.	Working Load Limit		Dimensions (inch)							N.W. lbs
	tonnes		A	B	D	H	K	P	T	
	5:1	4:1								
DA-027N-13W	5.3	6.7	2.40	1.97	0.91	1.54	11.14	2.01	1.18	11
DA-027N-16W	8	10	2.91	3.23	0.98	1.93	14.21	2.36	1.42	13
DA-027N-20	12.8	16	2.91	3.23	0.98	2.56	15.24	2.76	2.09	29
DA-027N-22	15.2	19	3.82	3.74	1.30	2.48	17.99	3.15	1.93	44
DA-027N-26	21.2	26.5	4.84	4.53	1.65	2.72	21.06	3.90	2.20	72
DA-027N-32	25.2	31.5	4.84	4.53	1.65	3.19	22.95	4.72	2.48	85

Item No.	Working Load Limit		Dimensions (mm)							N.W. kg
	tonnes		A	B	D	H	K	P	T	
	5:1	4:1								
DA-027N-13W	5.3	6.7	61	50	23	39	283	51	30	5.0
DA-027N-16W	8	10	74	82	25	49	361	60	36	6.0
DA-027N-20	12.8	16	74	82	25	65	387	70	53	13.0
DA-027N-22	15.2	19	97	95	33	63	457	80	49	20.0
DA-027N-26	21.2	26.5	123	115	42	69	535	99	56	32.7
DA-027N-32	25.2	31.5	123	115	42	81	583	120	63	38.5



- Forged alloy steel, quenched and tempered.
- Tested and manufactured in accordance with EN 1677 and Norsok R002.
- Certified by DNV GL-ST-0378.
- Fatigue rated to 20,000 cycles at 1.5 times the Working Load Limit (WLL).
- Charpy tested in accordance with DNV GL-ST-0378.
- Designed with recessed trigger, providing the locking mechanism being protected against inadvertent opening due to entanglement with any obstruction during lifting.
- Design factor 4:1 and 5:1.
- Latch mechanism is self locking under loading.
- Charpy test of 42 joules (31ft. lbs.) at -20°C (-4°F).

-40°C

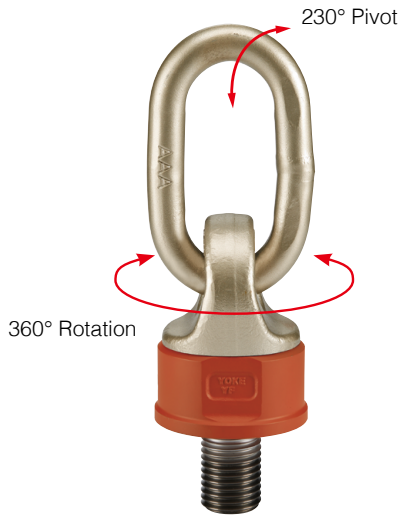
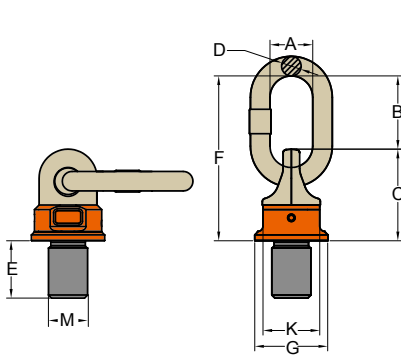
DA Eye Self Locking Hook

DNV GL-ST-0378
(Offshore Crane- Lifting Appliance)

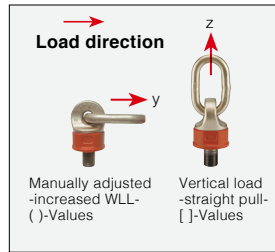
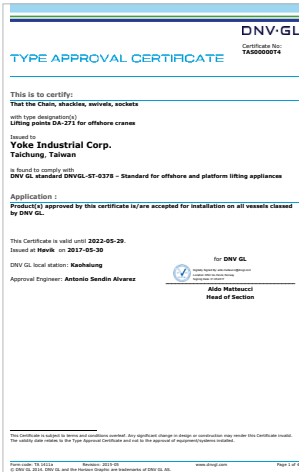


Item No.	Working Load Limit		Dimensions (inch)						N.W. lbs
	tonnes		A	D	H	K	P	T	
	5:1	4:1							
DA-025-13	5.3	6.7	1.57	0.63	1.54	8.15	2.01	1.18	6.6
DA-025-16	8.0	10.0	1.97	0.83	1.93	9.92	2.36	1.42	12.8
DA-025-20	12.8	16.0	2.36	0.91	2.56	11.42	2.76	2.09	22.0
DA-025-22	15.2	19.0	2.76	0.94	2.48	12.56	3.15	1.93	27.5
DA-025-26	21.2	26.5	3.15	0.98	2.72	13.50	3.90	2.20	33.0
DA-025-32	25.2	31.5	3.54	1.10	3.19	15.79	4.72	2.48	57.3

Item No.	Working Load Limit		Dimensions (mm)						N.W. kg
	tonnes		A	D	H	K	P	T	
	5:1	4:1							
DA-025-13	5.3	6.7	40	16	39	207	51	30	3.0
DA-025-16	8.0	10.0	50	21	49	252	60	36	5.8
DA-025-20	12.8	16.0	60	23	65	290	70	53	10.0
DA-025-22	15.2	19.0	70	24	63	319	80	49	12.5
DA-025-26	21.2	26.5	80	25	69	343	99	56	15.0
DA-025-32	25.2	31.5	90	28	81	401	120	63	26.0



- Forged alloy steel, quenched and tempered.
- Tested and manufactured in accordance with EN1677-1 and DNV GL-ST-0378 and ASME B30.26.
- Certified by DNV GL-ST-0378.
- Fatigue rated to 20,000 cycles at 1.5 times the Working Load Limit (WLL).
- Charpy tested in accordance with DNV GL-ST-0378.
- Proof Load tested to 2.5 times the Working Load Limit (WLL).
- Pivots to 230°, rotates through 360° due to its unique ball bearing design.
- Design factor 4:1.
- Easy to attach or dismantle due to the forged hexagon shaped body of the DA Swivel Point.
- Maximum WLL in axial direction when load ring is aligned.
- Capable of rotating under load. Do not turn continuously in 90 degree direction at full load.



-40°C

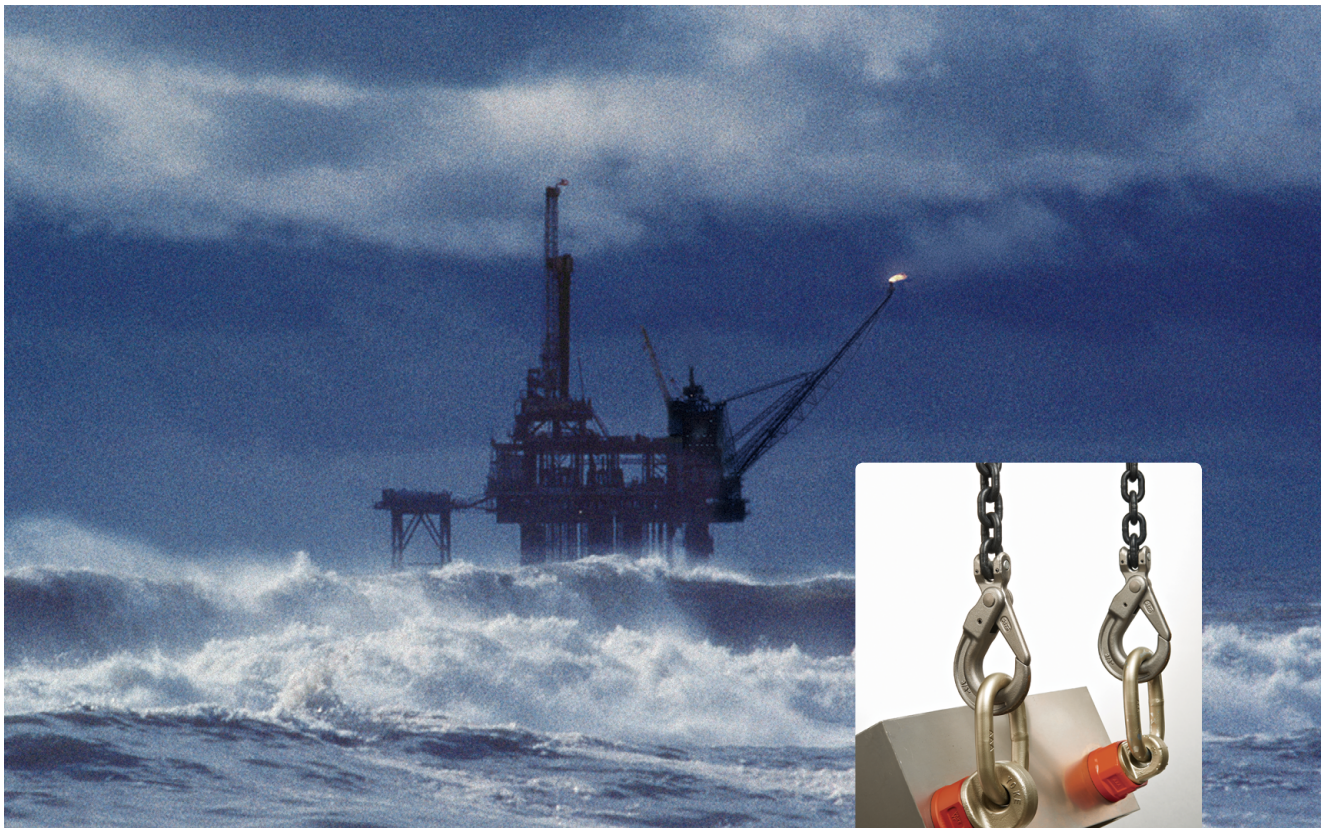
DA Swivel Point
Metric Thread (DA-271)
With Ball Bearing, which performs full swivel under load

DNV GL-ST-0378
(Offshore Crane- Lifting Appliance)



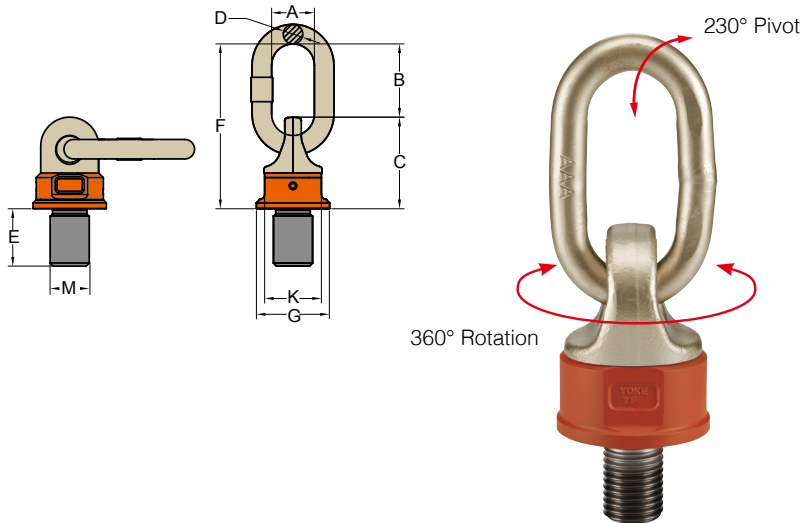
Item No.	Working Load Limit		Thread version			Dimensions (mm)						Torque in Nm	N.W. kg	
	(y)	[z]	M	E	Pitch	G	C	K	F	D	B			A
	tonnes		mm	mm	DIN13				mm					
DA-271-003	0.4	0.6	M 8	12	1.25	35	40	30	72	8	32	29	10 - 40	0.2
DA-271-004	0.6	0.9	M 10	15	1.5	35	40	30	72	8	32	29	10 - 40	0.2
DA-271-006	0.7	1.2	M 12	18	1.75	40	45	36	95	10	50	35	15 - 40	0.3
DA-271-013	1.5	2.6	M 16	24	2	46	54	41	104	13	50	38	45 - 130	0.5
DA-271-020	2.5	4	M 20	30	2.5	62	68	55	122	13	54	38	100 - 170	1.0
DA-271-035	4	7	M 24	36	3	78	88	70	154	19	66	40	190 - 280	2.2
DA-271-060	6	10	M 30	45	3.5	90	120	80	206	22	86	50	270 - 600	4.5
DA-271-080	10	15	M 36	54	4	90	120	80	206	22	86	50	270 - 600	4.6
DA-271-120	13	17	M 42	63	4.5	98	122	84	235	25	110	65	350 - 800	5.5
DA-271-130	16	18	M 48	72	5	98	122	84	235	25	110	65	350 - 800	6.1
DA-271-140	20	25	M 52	78	5	120	150	94	270	32	120	70	350 - 900	10.5
DA-271-160	22	28	M 56	84	5.5	120	150	94	270	32	120	70	350 - 900	10.7
DA-271-161	22	28	M 64	96	6	120	150	94	270	32	120	70	500 - 1000	11.6

*Design factor 4:1 proof tested and certified.

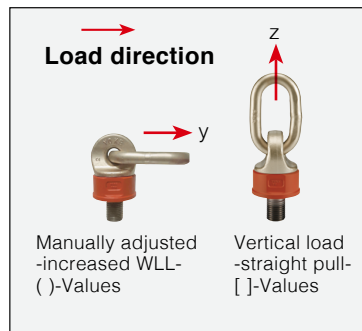


-40°C

Kind of attachment	G		A		G		A		G		A	
	1	2	1	2	2	2	2	3-4	3-4	3-4	3-4	
Number of legs	1	2	1	2	2	2	2	3-4	3-4	3-4	3-4	
Load direction	0°	0°	90°	90°	0-45°	45°- 60°	unsymm.	0 - 45°	45°- 60°	unsymm.	unsymm.	
Item No.	Thread	WLL(t)										
DA-271-003	M 8	0.6	1.2	0.4	0.8	0.4	0.3	0.3	0.6	0.4	0.3	
DA-271-004	M10	0.9	1.8	0.6	1.2	0.6	0.4	0.4	0.9	0.6	0.4	
DA-271-006	M12	1.2	2.4	0.7	1.5	0.8	0.6	0.6	1.2	0.9	0.6	
DA-271-013	M16	2.6	5.2	1.5	3	1.8	1.3	1.3	2.7	1.9	1.3	
DA-271-020	M20	4	8	2.5	5	2.8	2	2	4.2	3	2	
DA-271-035	M24	7	14	4	8	4.9	3.5	3.5	7.3	5.2	3.5	
DA-271-060	M30	10	20	6	12	7	5	5	10.5	7.5	5	
DA-271-080	M36	15	30	10	20	14	10	10	21	15	10	
DA-271-120	M42	17	34	13	26	18.2	13	13	27.3	19.5	13	
DA-271-130	M48	18	36	14	28	19.6	14	14	29.4	21	14	
DA-271-140	M52	25	50	20	40	28	20	20	42	30	20	
DA-271-160	M56	28	56	20	40	28	20	20	42	30	20	
DA-271-161	M64	28	56	20	40	28	20	20	42	30	20	



- Forged alloy steel, quenched and tempered.
- Tested and manufactured in accordance with EN1677-1 and DNV GL-ST-0378 and ASME B30.26.
- Fatigue rated to 20,000 cycles at 1.5 times the Working Load Limit (WLL).
- Charpy tested in accordance with DNV GL-ST-0378 .
- Proof Load tested to 2.5 times the Working Load Limit (WLL).
- Pivots to 230°, rotates through 360° due to its unique ball bearing design.
- Design factor 4:1.
- Easy to attach or dismantle due to the forged hexagon shaped body of the DA Swivel Point.
- Maximum WLL in axial direction when load ring is aligned.
- Capable of rotating under load. Do not turn continuously in 90 degree direction at full load.



-40°C

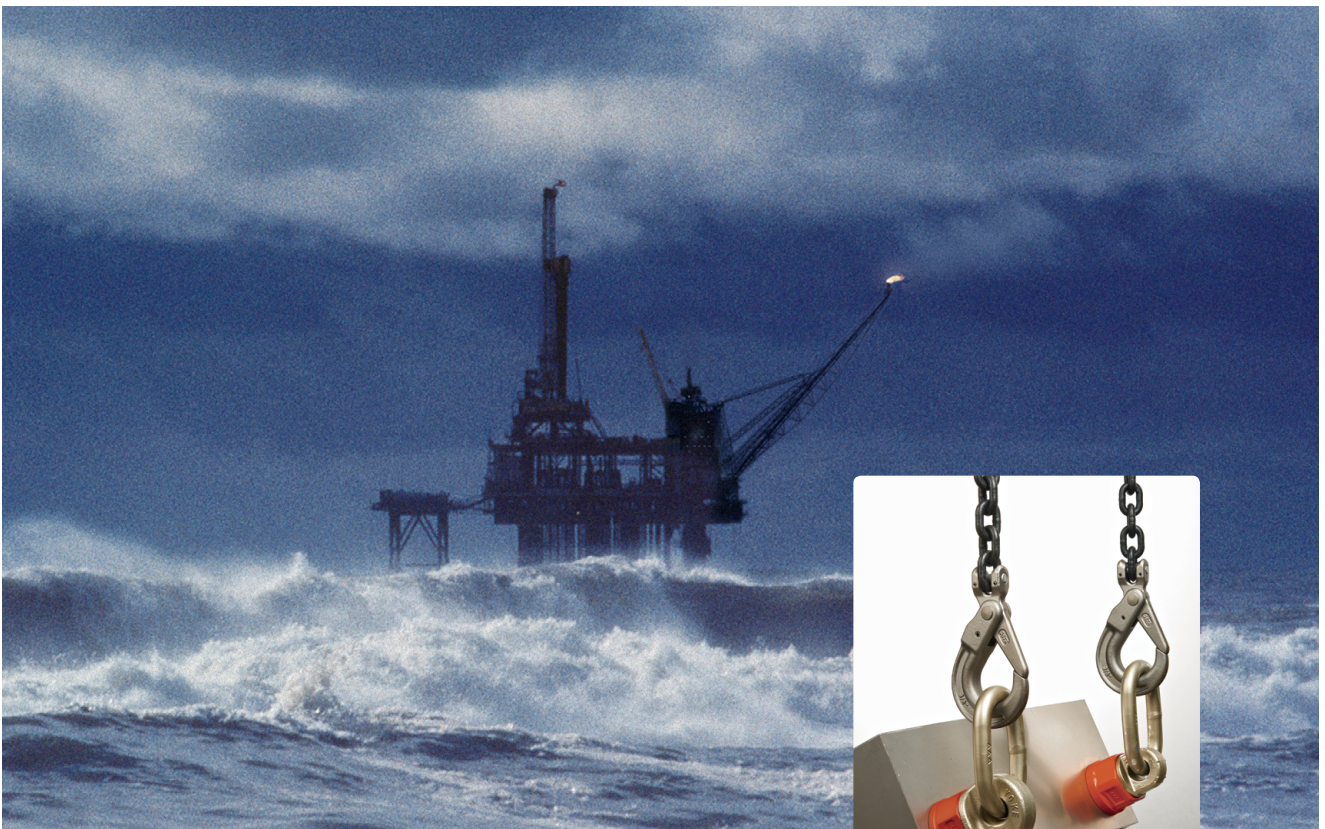
DA Swivel Point

UNC Thread (DA-272)

With Ball Bearing, which performs full swivel under load

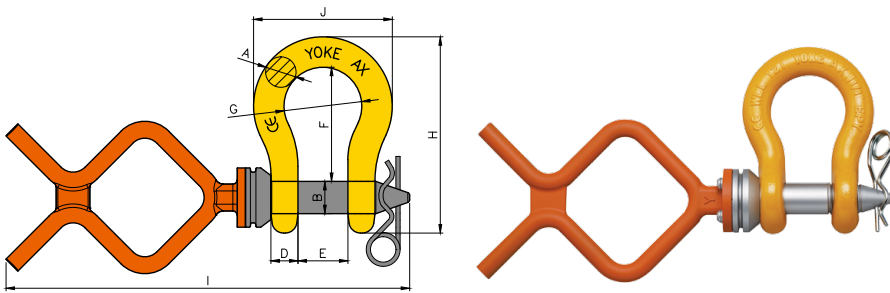
Item No.	Working Load Limit		Thread version			Dimensions (inch)						Torque in Nm	N.W. lbs	
	(y)	[z]	M	E	TPI	G	C	K	F	D	B			A
	tonnes		inch	inch					inch					
DA-272-006	0.7	1.2	1/2	0.75	13UNC	1.57	1.77	1.42	3.74	0.39	1.97	1.38	15 - 40	0.7
DA-272-013	1.5	2.6	5/8	0.94	11UNC	1.81	2.13	1.61	4.09	0.51	1.97	1.50	45 - 130	1.2
DA-272-018	2.0	3.6	3/4	1.13	10UNC	1.81	2.68	1.61	4.09	0.51	1.97	1.50	45 - 130	1.2
DA-272-020	2.5	4	7/8	1.31	9UNC	2.44	2.68	2.17	4.80	0.51	2.13	1.50	100 - 170	2.2
DA-272-035	4	7	1	1.50	8UNC	3.07	3.46	2.76	6.06	0.75	2.60	1.57	190 - 280	4.8
DA-272-060	6	10	1 1/4	1.88	7UNC	3.54	4.72	3.15	8.11	0.87	3.39	1.97	270 - 600	9.9
DA-272-080	10	15	1 1/2	2.25	6UNC	3.54	4.72	3.15	8.11	0.87	3.39	1.97	270 - 600	10.0
DA-272-120	13	17	1 3/4	2.63	5UNC	3.86	4.80	3.31	9.25	0.98	4.33	2.56	350 - 800	12.1
DA-272-130	16	18	2	3.00	4.5UNC	3.86	4.80	3.31	9.25	0.98	4.33	2.56	350 - 800	13.5
DA-272-140	20	25	2 1/4	3.38	4.5UNC	4.72	5.91	3.70	10.63	1.26	4.72	2.76	350 - 900	23.1
DA-272-160	22	28	2 1/2	3.75	4UNC	4.72	5.91	3.70	10.63	1.26	4.72	2.76	350 - 900	23.5

*Design factor 4:1 proof tested and certified.



-40°C

Kind of attachment	↑		A		↑		A		β		↑		β		β	
	G	G	G	G	G	G	G	G	G	G	G	G	G	G	G	G
Number of legs	1	2	1	2	2	2	2	3-4	3-4	3-4						
Load direction	0°	0°	90°	90°	0-45°	45°- 60°	unsymm.	0 - 45°	45°- 60°	unsymm.						
Item No.	Thread	WLL(t)														
DA-272-006	1/2	1.2	2.4	0.7	1.5	0.8	0.6	0.6	1.2	0.9	0.6					
DA-272-013	5/8	2.6	5.2	1.5	3	1.8	1.3	1.3	2.7	1.9	1.3					
DA-272-018	3/4	3.6	7.2	2	4	2.5	1.8	1.8	3.7	2.7	1.8					
DA-272-020	7/8	4	8	2.5	5	2.8	2	2	4.2	3	2					
DA-272-035	1	7	14	4	8	4.9	3.5	3.5	7.3	5.2	3.5					
DA-272-060	1 1/4	10	20	6	12	7	5	5	10.5	7.5	5					
DA-272-080	1 1/2	15	30	10	20	14	10	10	21	15	10					
DA-272-120	1 3/4	17	34	13	26	18.2	13	13	27.3	19.5	13					
DA-272-130	2	18	36	14	28	19.6	14	14	29.4	21	14					
DA-272-140	2 1/4	25	50	20	40	28	20	20	42	30	20					
DA-272-160	2 1/2	28	56	20	40	28	20	20	42	30	20					



- Forged alloy steel, quenched and tempered.
- Designed specifically for ROV application.
- Handles are Carbon Steel.
- Individually stamped with the Working Load Limit.
- Shackle Bows are painted yellow to ensure ease of sight in water.
- Convertible handles on ROV shackle bolts.

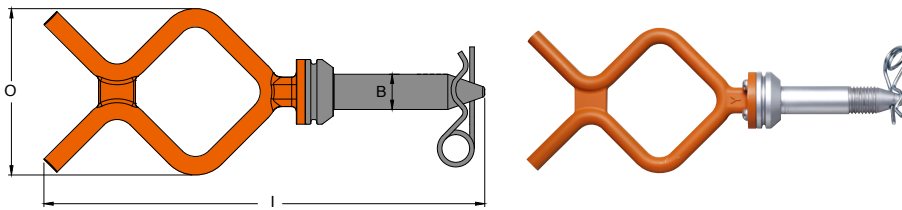
ROV Anchor Shackle with Fishtail-handle and Safety Pin (ROV: Remotely Operated Vehicle)

Item No.	Nominal Size	Working Load Limit tonnes	Dimensions (inch)										N.W. lbs
	in.		A	B	C	D	E	G	H	I	J		
8-941-22	7/8	6.5	0.9	1.0	2.1	0.8	1.5	2.3	5.8	16.5	4.0	9.3	
8-941-26	1	8.5	1.0	1.1	2.4	0.9	1.7	2.7	6.5	16.9	4.7	10.6	
8-941-28	1-1/8	9.5	1.1	1.3	2.7	1.1	1.8	2.9	7.5	17.9	5.1	12.5	
8-941-32	1-1/4	12.0	1.3	1.4	3.0	1.2	2.1	3.3	8.3	18.4	5.8	15.8	
8-941-36	1-3/8	13.5	1.4	1.5	3.3	1.3	2.3	3.6	9.1	18.8	6.5	18.9	
8-941-38	1-1/2	17.0	1.5	1.8	3.6	1.4	2.4	3.8	10.0	19.3	6.9	23.5	
8-941-45	1-3/4	25.0	1.8	2.0	4.2	1.7	2.9	5.0	12.3	21.1	8.7	38.7	
8-941-50	2	35.0	2.0	2.2	4.8	2.0	3.3	5.7	13.7	22.0	9.8	58.1	

* Minimum Ultimate Load is 5 times the Working Load Limit.
Maximum Proof Load is 2 times the Working Load Limit.

Item No.	Nominal Size	Working Load Limit tonnes	Dimensions (mm)										N.W. kg
	mm		A	B	C	D	E	G	H	I	J		
8-941-22	22	6.5	22	26	53	21.5	38	58	148	420	102	4.2	
8-941-26	26	8.5	26	28	61	23	44	68	166	429	120	4.8	
8-941-28	28	9.5	28	32	68	27	46	74	190	454	130	5.7	
8-941-32	32	12.0	32	36	76	29.5	54	84	210	467	148	7.2	
8-941-36	36	13.5	36	38	84	32	59	92	232	477	164	8.6	
8-941-38	38	17.0	38	45	92	35	60.5	97	254	489	175	10.7	
8-941-45	45	25.0	45	50	106	44	73	127	313	536	221	17.6	
8-941-50	50	35.0	50	57	122	50.8	83.5	146	347.5	560	247.7	26.4	

* Minimum Ultimate Load is 5 times the Working Load Limit.
Maximum Proof Load is 2 times the Working Load Limit.

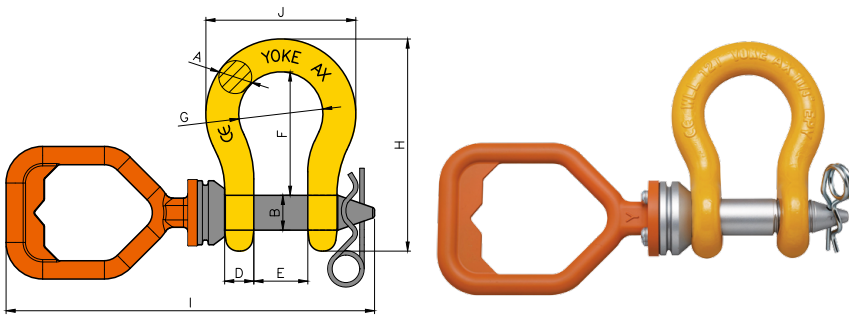


- Carbon Steel, quenched and tempered.
- Designed specifically for ROV application.
- Convertible handles on ROV shackle bolts.

ROV Anchor Shackle Fishtail-handle

Item No.	Working Load Limit	Dimensions (inch)			N.W.
	tonnes	B	I	O	lbs
8-941FT-22	6.5	1.02	16.54	7.09	5.9
8-941FT-26	8.5	1.10	16.89	7.09	6.4
8-941FT-28	9.5	1.26	17.87	7.09	7.0
8-941FT-32	12.0	1.42	18.39	7.09	7.7
8-941FT-36	13.5	1.50	18.78	7.09	8.4
8-941FT-38	17.0	1.77	19.25	7.09	9.7
8-941FT-45	25.0	1.97	21.10	7.09	12.3
8-941FT-50	35.0	2.24	22.05	7.09	15.2

Item No.	Working Load Limit	Dimensions (mm)			N.W.
	tonnes	B	I	O	kg
8-941FT-22	6.5	26	420	180	2.7
8-941FT-26	8.5	28	429	180	2.9
8-941FT-28	9.5	32	454	180	3.2
8-941FT-32	12.0	36	467	180	3.5
8-941FT-36	13.5	38	477	180	3.8
8-941FT-38	17.0	45	489	180	4.4
8-941FT-45	25.0	50	536	180	5.6
8-941FT-50	35.0	57	560	180	6.9



- Forged alloy steel, quenched and tempered.
- Designed specifically for ROV application.
- Handles are Carbon Steel.
- Individually stamped with the Working Load Limit.
- Shackle Bows are painted yellow to ensure ease of sight in water.
- Convertible handles on ROV shackle bolts.

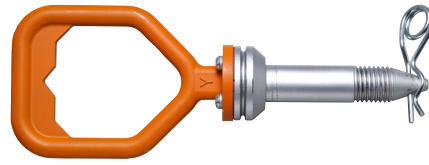
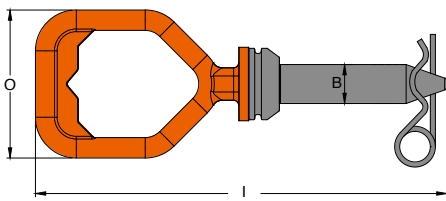
ROV Anchor Shackle with D-handle and Safety Pin (ROV: Remotely Operated Vehicle)

Item No.	Nominal	Working Load Limit	Dimensions (inch)									N.W. lbs
	Size inch		tonnes	A	B	C	D	E	G	H	I	
8-951-22	7/8	6.5	0.9	1.0	2.1	0.8	1.5	2.3	5.8	13.6	4.0	9.9
8-951-26	1	8.5	1.0	1.1	2.4	0.9	1.7	2.7	6.5	14.0	4.7	11.2
8-951-28	1-1/8	9.5	1.1	1.3	2.7	1.1	1.8	2.9	7.5	15.0	5.1	13.2
8-951-32	1-1/4	12.0	1.3	1.4	3.0	1.2	2.1	3.3	8.3	15.5	5.8	16.5
8-951-36	1-3/8	13.5	1.4	1.5	3.3	1.3	2.3	3.6	9.1	15.9	6.5	19.6
8-951-38	1-1/2	17.0	1.5	1.8	3.6	1.4	2.4	3.8	10.0	16.3	6.9	24.2
8-951-45	1-3/4	25.0	1.8	2.0	4.2	1.7	2.9	5.0	12.3	18.2	8.7	39.4
8-951-50	2	35.0	2.0	2.2	4.8	2.0	3.3	5.7	13.7	19.1	9.8	58.7

* Minimum Ultimate Load is 5 times the Working Load Limit.
Maximum Proof Load is 2 times the Working Load Limit.

Item No.	Nominal	Working Load Limit	Dimensions (mm)									N.W. kg
	Size mm		tonnes	A	B	C	D	E	G	H	I	
8-951-22	22	6.5	22	26	53	21.5	38	58	148	346	102	4.5
8-951-26	26	8.5	26	28	61	23	44	68	166	355	120	5.1
8-951-28	28	9.5	28	32	68	27	46	74	190	380	130	6.0
8-951-32	32	12.0	32	36	76	29.5	54	84	210	393	148	7.5
8-951-36	36	13.5	36	38	84	32	59	92	232	403	164	8.9
8-951-38	38	17.0	38	45	92	35	60.5	97	254	415	175	11.0
8-951-45	45	25.0	45	50	106	44	73	127	313	462	221	17.9
8-951-50	50	35.0	50	57	122	50.8	83.5	146	347.5	486	247.7	26.7

* Minimum Ultimate Load is 5 times the Working Load Limit.
Maximum Proof Load is 2 times the Working Load Limit.

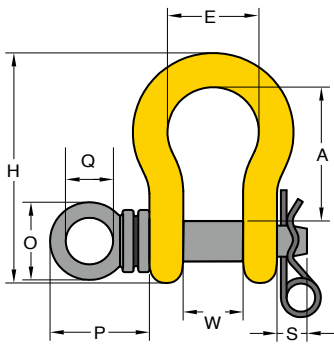


- Carbon Steel, quenched and tempered.
- Designed specifically for ROV application.
- Convertible handles on ROV shackle bolts.

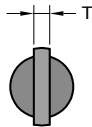
ROV Anchor Shackle D-handle

Item No.	Working Load Limit tonnes	Dimensions (inch)			N.W. lbs
		B	I	O	
8-951DH-22	6.5	1.02	16.54	5.71	5.1
8-951DH-26	8.5	1.10	16.89	5.71	5.5
8-951DH-28	9.5	1.26	17.87	5.71	6.4
8-951DH-32	12.0	1.42	18.39	5.71	6.8
8-951DH-36	13.5	1.50	18.78	5.71	7.5
8-951DH-38	17.0	1.77	19.25	5.71	9.0
8-951DH-45	25.0	1.97	21.10	5.71	11.7
8-951DH-50	35.0	2.24	22.05	5.71	14.3

Item No.	Working Load Limit tonnes	Dimensions (mm)			N.W. kg
		B	I	O	
8-951DH-22	6.5	26	420	145	2.3
8-951DH-26	8.5	28	429	145	2.5
8-951DH-28	9.5	32	454	145	2.9
8-951DH-32	12.0	36	467	145	3.1
8-951DH-36	13.5	38	477	145	3.4
8-951DH-38	17.0	45	489	145	4.1
8-951DH-45	25.0	50	536	145	5.3
8-951DH-50	35.0	57	560	145	6.5



- ROV: Remotely Operated Vehicle
- Forged alloy steel, quenched and tempered.
 - Designed specifically for ROV application.
 - Individually stamped with the Working Load Limit.
 - Shackle Bows are painted yellow to ensure ease of sight in water.



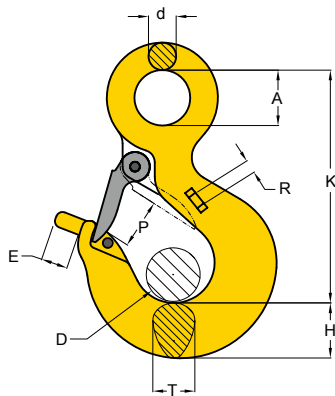
**ROV Anchor Shackle
with Safety Pin
(ROV: Remotely Operated Vehicle)**

Item No.	Nominal Size		Working Load Limit tonnes*	Dimensions (inch)									N.W. lbs
	inch	mm		A	E	H	O	P	Q	S	T	W	
8-911-22	7/8	22	6.5	3.39	2.28	5.91	1.96	2.48	1.18	0.74	0.39	1.50	4.0
8-911-26	1	26	8.5	3.78	2.68	6.57	1.96	2.55	1.18	0.78	0.39	1.73	5.5
8-911-28	1 1/8	28	9.5	4.37	2.91	7.52	2.75	3.46	1.38	0.82	0.47	1.81	7.9
8-911-32	1 1/4	32	12.0	4.76	3.30	8.07	2.75	3.46	1.38	0.98	0.47	2.12	10.6
8-911-36	1 3/8	36	13.5	5.28	3.62	9.13	2.95	3.77	1.57	1.06	0.59	2.32	15.0
8-911-38	1 1/2	38	17.0	5.75	3.90	10.00	2.95	3.85	1.57	1.06	0.59	2.36	18.3
8-911-45	1 3/4	45	25.0	7.00	5.00	12.32	3.54	4.48	1.97	1.18	0.78	2.87	36.5
8-911-50	2	50	35.0	7.76	5.75	13.66	4.17	5.19	2.36	1.18	0.78	3.27	51.5

★ Minimum Ultimate Load is 5 times the Working Load Limit.
Maximum Proof Load is 2 times the Working Load Limit.

Item No.	Nominal Size		Working Load Limit tonnes*	Dimensions (mm)									N.W. kg
	inch	mm		A	E	H	O	P	Q	S	T	W	
8-911-22	7/8	22	6.5	86	58	148	50	63	30	19	10	38	1.8
8-911-26	1	26	8.5	96	69	166	50	65	30	20	10	44	2.5
8-911-28	1 1/8	28	9.5	111	74	190	70	88	35	21	12	46	3.6
8-911-32	1 1/4	32	12.0	121	84	210	70	88	35	25	12	54	4.8
8-911-36	1 3/8	36	13.5	134	92	232	75	96	40	27	15	59	6.8
8-911-38	1 1/2	38	17.0	146	99	254	75	98	40	27	15	60	8.3
8-911-45	1 3/4	45	25.0	178	127	313	90	114	50	30	20	73	16.6
8-911-50	2	50	35.0	197	146	347	106	132	60	30	20	83	23.4

★ Minimum Ultimate Load is 5 times the Working Load Limit.
Maximum Proof Load is 2 times the Working Load Limit.



ROV: Remotely Operated Vehicle

- Forged alloy steel, quenched and tempered.
- Designed specifically for ROV application.
- Individually stamped with the Working Load Limit.
- Shackle Bows are painted yellow to ensure ease of sight in water.

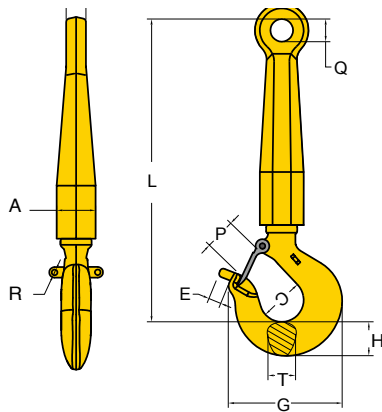
ROV Eye Sling Hook (ROV: Remotely Operated Vehicle)

Item No.	Working Load Limit	Dimensions (inch)									N.W.
	tonnes*	A	D	d	E	H	K	P	R	T	lbs
8-921-03	3.0	1.26	0.98	0.59	0.78	1.14	4.80	0.98	0.31	0.95	2.2
8-921-05	5.0	1.57	1.22	0.71	0.78	1.46	5.87	1.22	0.31	1.22	4.6
8-921-07	7.0	2.00	1.54	0.95	0.78	1.82	7.56	1.54	0.31	1.46	8.8
8-921-11	11.0	2.44	2.24	1.10	1.18	2.28	9.13	2.24	0.31	1.89	15.4
8-921-15	15.0	2.84	2.44	1.26	1.18	2.60	10.10	2.44	0.31	2.20	20.7
8-921-22	22.0	3.54	3.19	1.57	1.96	3.01	12.50	3.19	0.39	2.68	40.9
8-921-30	30.0	3.54	3.27	1.77	1.96	3.62	14.10	3.27	0.39	2.99	68.6

★ Minimum Ultimate Load is 4 times the Working Load Limit.
Maximum Proof Load is 2 times the Working Load Limit.

Item No.	Working Load Limit	Dimensions (mm)									N.W.
	tonnes	A	D	d	E	H	K	P	R	T	kg
8-921-03	3.0	32	25	15	20	29	122	25	8	24	1.0
8-921-05	5.0	40	31	18	20	37	149	31	8	31	2.1
8-921-07	7.0	51	39	24	20	46	192	39	8	37	4.0
8-921-11	11.0	62	57	28	30	58	232	57	8	48	7.0
8-921-15	15.0	72	62	32	30	66	256	62	8	56	9.4
8-921-22	22.0	90	81	40	50	77	318	81	10	68	18.6
8-921-30	30.0	90	83	45	50	92	357	83	10	76	31.2

★ Minimum Ultimate Load is 4 times the Working Load Limit.
Maximum Proof Load is 2 times the Working Load Limit.



ROV: Remotely Operated Vehicle

- Forged alloy steel, quenched and tempered.
- Designed specifically for ROV application.
- Individually stamped with the Working Load Limit.
- Shackle Bows are painted yellow to ensure ease of sight in water.

ROV Shank Hook
(ROV: Remotely Operated Vehicle)

Item No.	Working Load Limit	Dimensions (inch)											N.W.
	tonnes*	A	C	E	G	H	L	N	P	Q	R	T	lbs
8-931-05	5.4	2.16	1.53	0.78	5.12	1.46	15.90	1.10	1.26	1.25	0.31	1.31	13.2
8-931-08	8.0	2.16	1.94	0.78	6.54	1.82	16.81	1.10	1.54	1.25	0.31	1.66	16.7
8-931-11	11.5	2.56	2.46	1.18	7.72	2.28	22.40	1.57	2.24	1.96	0.31	1.88	30.6
8-931-16	16.0	2.56	2.59	1.18	8.70	2.60	23.07	1.57	2.44	1.96	0.31	2.19	35.0
8-931-22	22.0	3.35	2.81	1.96	10.91	3.01	26.96	2.04	3.19	2.55	0.39	2.69	68.2
8-931-32	31.5	3.35	3.44	1.96	13.90	3.62	28.66	2.04	3.46	2.55	0.39	3.00	98.1

★ Minimum Ultimate Load is 4 times the Working Load Limit.
Maximum Proof Load is 2 times the Working Load Limit.

Item No.	Working Load Limit	Dimensions (mm)											N.W.
	tonnes*	A	C	E	G	H	L	N	P	Q	R	T	kg
8-931-05	5.4	55	38	20	130	37	404	28	32	32	8	33	6.0
8-931-08	8.0	55	49	20	166	46	427	28	39	32	8	42	7.6
8-931-11	11.5	65	62	30	196	58	569	40	57	50	8	48	13.9
8-931-16	16.0	65	65	30	221	66	586	40	62	50	8	56	15.9
8-931-22	22.0	85	71	50	277	77	685	52	81	65	10	68	31.0
8-931-32	31.5	85	87	50	353	92	728	52	88	65	10	76	44.6

★ Minimum Ultimate Load is 4 times the Working Load Limit.
Maximum Proof Load is 2 times the Working Load Limit.

YOKE[®]

DA[™]

Offshore Lifting



Safety is our first priority™

An ISO 9001 Registered Company



YOKE INDUSTRIAL CORP.

No. 39, 33rd Road,
Taichung Industrial Park,
Taichung 407,
TAIWAN
Tel: +886-4-2350-8088
Fax: +886-4-2350-1001
E-mail: info@mail.yoke.net
www.yoke.net

QMS System Certified:

